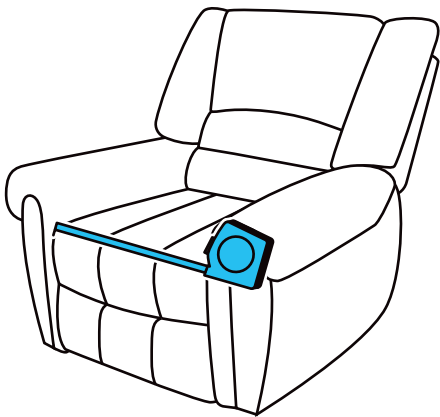
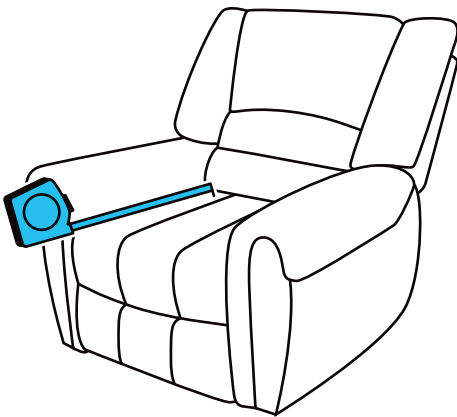


The AIM Recliner Cushion

The AIM Recliner Cushion is a pressure redistributing cushion that allows for superior comfort and stability. It is ideal for use with unstable surfaces such as a recliner. The AIM Recliner Cushion is the ideal solution for sedentary patients who sit for long periods of time.

- No Pump Required
- Auto-inflating & Self-adjusting
- Maintenance Free
- 100% American Made

Getting the Right Fit: To ensure the you get the best AIM Recliner Cushion size for your recliner, follow these steps

 <p>1 Measure Your Recliner Seat Width</p>	 <p>2 Measure Your Recliner Seat Depth</p>
<p>Round Each Measurement Down to the Nearest Inch</p>	

Width: _____ **Depth:** _____

Call your doctor, provide these measurements and request they order the AIM Recliner Cushion today.

Omnikare.com/aim-cushion

